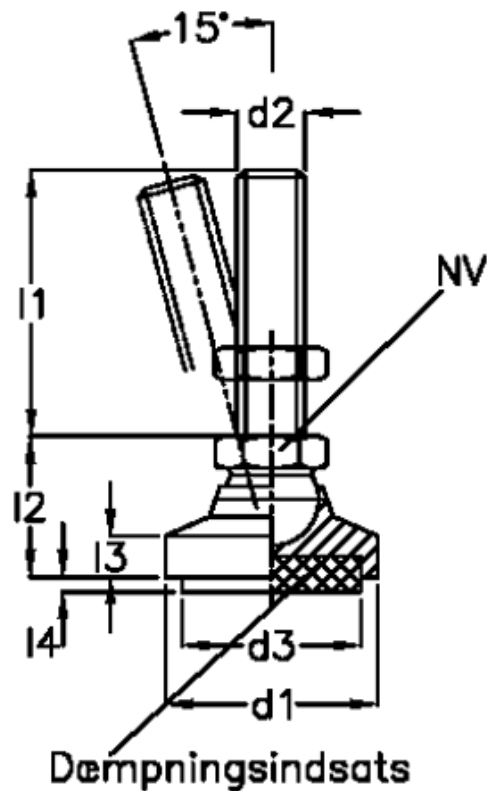


Article number: 20956502
 Description: E+GLEvelling foot
 GN 342.2-32-M10-50-SV

Measures



Area(m2) damping insert = 707	l_4 compression 0.4 N/mm ²	= 4.3
d_1 = 32	l_4 compression 0.6 N/mm ²	= 3.4
d_2 = M10	Load (N) by compression 0.4 N/mm ²	= 280
d_3 = 30	NV	= 16
l_1 = 50	t	= 10.5
l_2 = 29.0		
l_3 = 11.0		
l_4 compression 0 N/mm ² = 5.5		